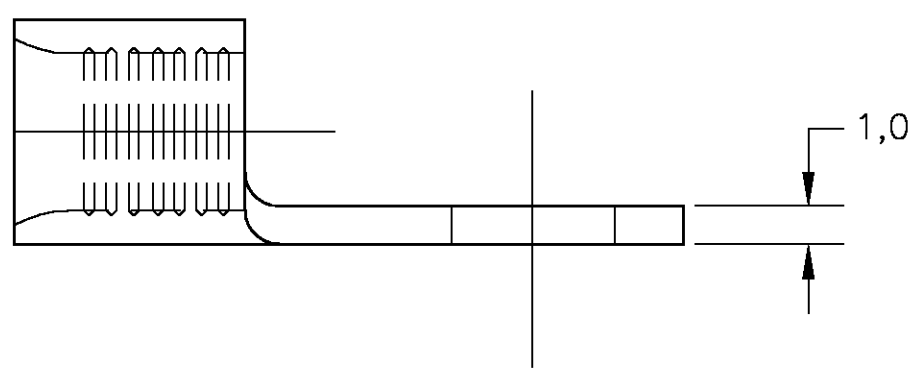
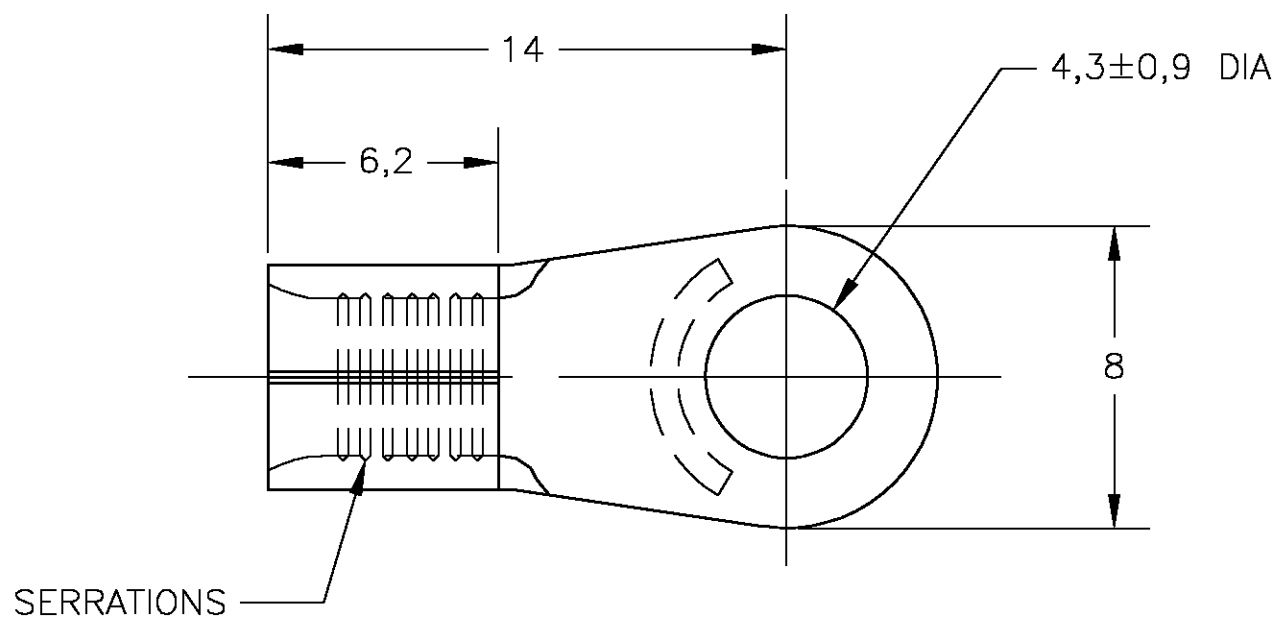


THIS DRAWING IS UNPUBLISHED. RELEASED FOR PUBLICATION
 © COPYRIGHT BY TYCO ELECTRONICS CORPORATION. ALL RIGHTS RESERVED.

LOC	DIST	REVISIONS			
P	LTR	DESCRIPTION	DATE	DWN	APVD
H	86				
	D	REV PER 0G3A-0323-04	12MAY04	JR	TM



165301-0
 PART NO

THIS DRAWING IS A CONTROLLED DOCUMENT.		DWN jr_ruth 12MAY04	Tyco Electronics Corporation Harrisburg, PA 17105				
DIMENSIONS: MM —INCHES—		CHK T MICHELUTTI 12MAY04					
		APVD T MICHELUTTI 12MAY04	NAME				
TOLERANCES UNLESS OTHERWISE SPECIFIED: 0 PLC ± 0.2 1 PLC ± 0.2 2 PLC ± 0.2 3 PLC ± — 4 PLC ± — ANGLES ± 5°		PRODUCT SPEC	RING TONGUE SOLISTRAND WIRE SIZE: 4-6mm				
MATERIAL COPPER		FINISH TIN PLATED	APPLICATION SPEC	SIZE	CAGE CODE	DRAWING NO	RESTRICTED TO
			—	A3	00779	C-165301	—
CUSTOMER DRAWING			SCALE	SHEET	OF	REV	
			5:1	1	1	D	